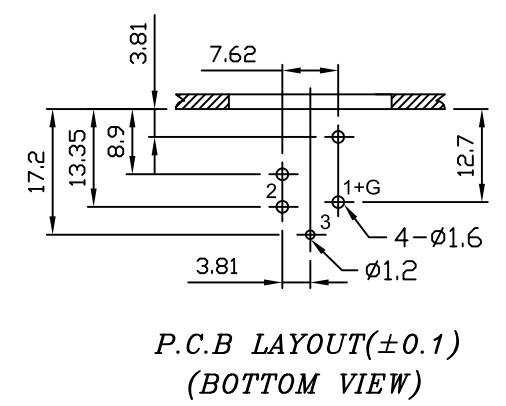
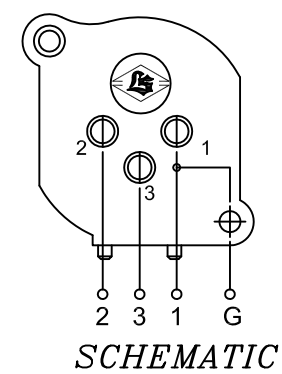
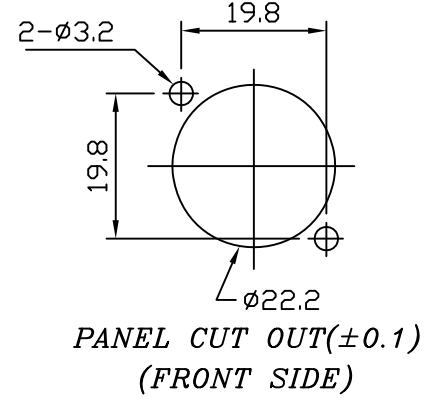
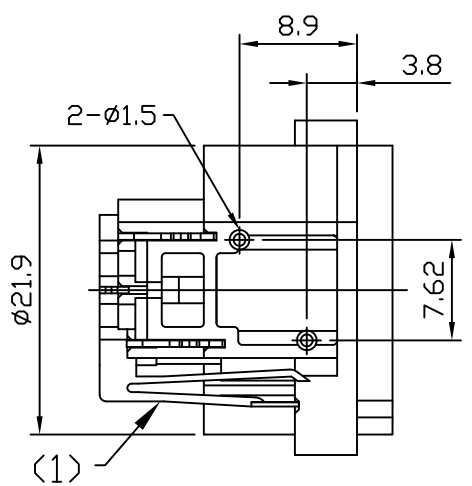
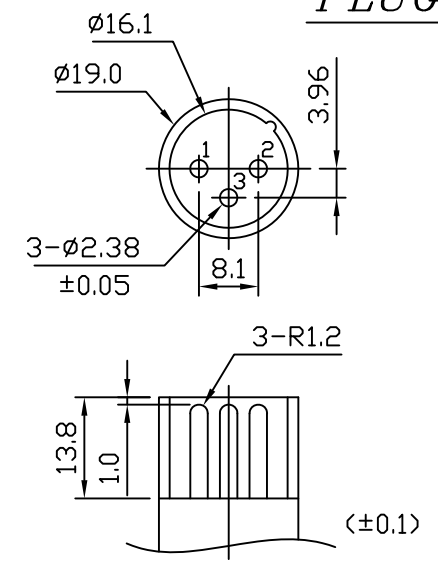
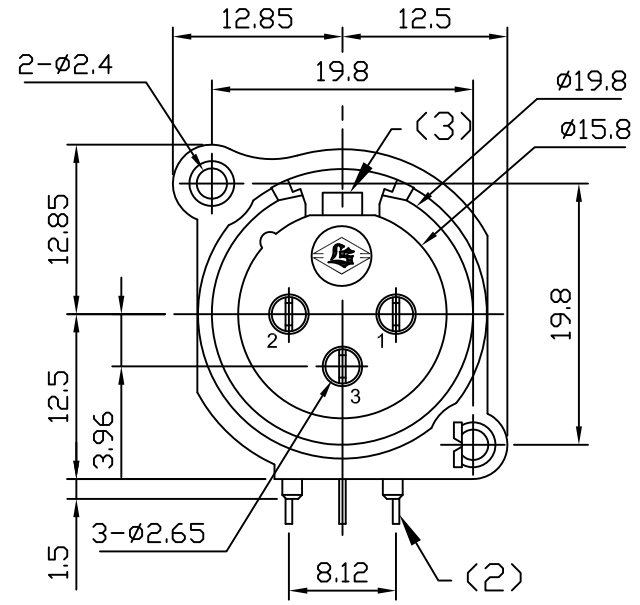
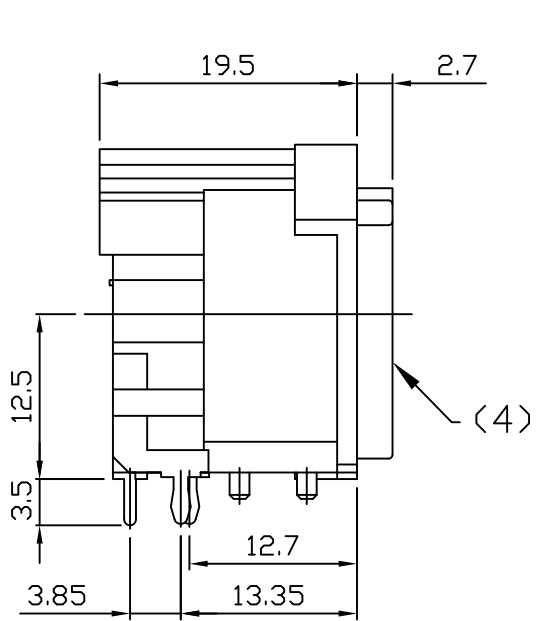


PLUG



LIH SHENG PRECISION INDUSTRIAL CO., LTD.

4	BODY	1	PA66-94HB/G30		BLACK
3	SPRING	1	SK7	NICKEL	
2	CONTACT	3	P.B.S	GOLD 2u"	
1	SLEEVE	1	P.B.S	Tin	
NO	PART NAME	Q'TY	MATERIAL	PLATED	REMARK

TOLERANCE X. ±0.5 X.X ±0.3 X.XX ±0.15	Material		PART NAME	XLR CONNECTOR(Female seat)	
	Thickness		PART NO.	LX-1604HA-3(TIN)	
	Disposal		DATE	20/JAN/16'	REV:A
	UNIT	SCALE	DRAW	CHECK	APPROVE
	mm	1.8:1	Chris	Wen1	Yen