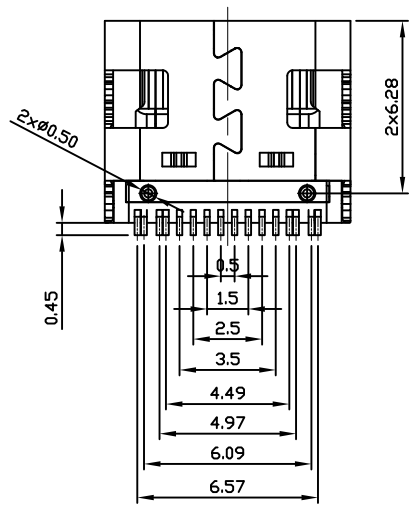


Recommend of PC Board Holes
Tolerance : ±0.05(Top view)



A1	GND	B12	GND
A4	VBUS	B9	VBUS
A5	CC1	B8	SBU2
A6	DP1	B7	DN2
A7	DN1	B6	DP2
A8	SBU1	B5	CC2
A9	VBUS	B4	VBUS
A12	GND	B1	GND
PIN	SIGNAL NAME	PIN	SIGNAL NAME



LIH SHENG PRECISION INDUSTRIAL CO., LTD.

4	MIDDLE CLIP	1	SUS 301	TIN PLATED
3	TERMINAL	5	C7025	Nickel base 50U' MIN Gold plating on contact area (AU 1u') Gold-plated G/F on soldering area
2	SHELL	1	SUS 304	Nickel-plated surface
1	HOUSING	1	LCP	UL94V-0 (Black)
NO	PART NAME	Q'TY	MATERIAL	PLATED

TOLERANCE X.X ±0.3	Material	PART NAME	USB TYPE C FEMALE (16PIN)		
X.XX ±0.25	Thickness	PART NO.	LUSC004-SF		
X.XX ±0.20	Disposal	DATE	23/MAY/23'	REV:A	
	UNIT	SCALE	DRAW	CHECK	APPROVED
	mm	5:1	Chris	Wen1	Yen