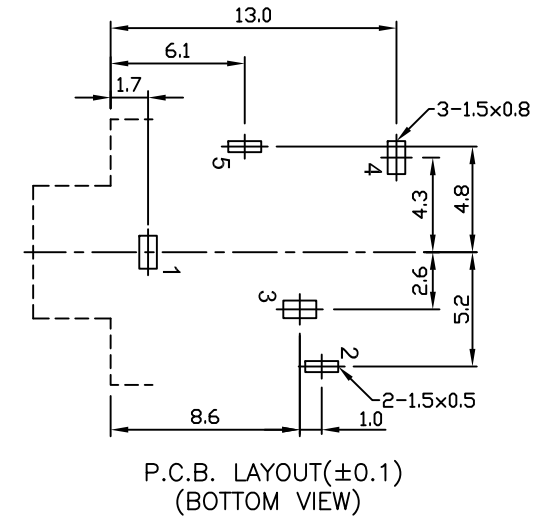
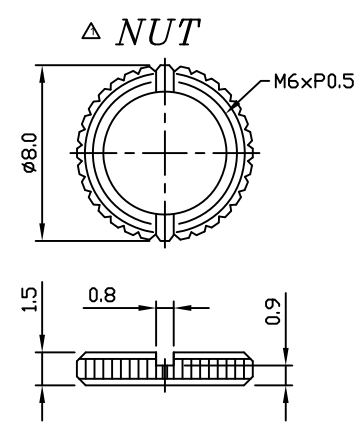
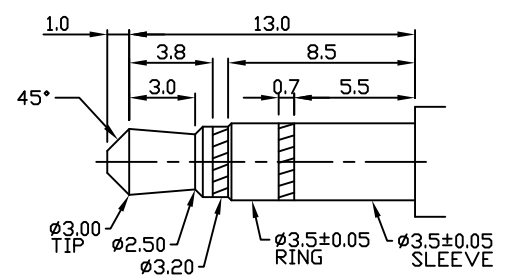


PLUG



NON THREAD	-5	-4T	-4R	-3RT	-3TS
SCHEMATIC					

9	NUT	1	BRASS	NICKEL	
8	COVER	1	PC		TRANSPARENT
7	HOUSING	1	PBT		BLACK
6	BUSHING	1	BRASS	NICKEL	
5	5#CONTACT FOOT	1	P.B.S	Tin	
4	4#CONTACT FOOT	1	BRASS	Tin	
3	3#CONTACT FOOT	1	BRASS	Tin	
2	2#CONTACT FOOT	1	P.B.S	Tin	
1	1#CONTACT FOOT	1	BRASS	Tin	
NO	PART NAME	Q'TY	MATERIAL	PLATED	REMARK

**LIH SHENG PRECISION INDUSTRIAL CO., LTD.**

TOLERANCE	Material	PART NAME	EARPHONE JACK		
X. ±0.5	Thickness	PART NO.	LJE0365-5-09A		
X.X ±0.3	Disposal	DATE	12/DEC/11'	REV: B	
X.XX ±0.15	UNIT	DRAW	CHECK	APPROVE	
	mm	Chris	Wen1	Yen	