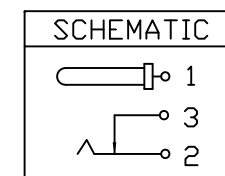
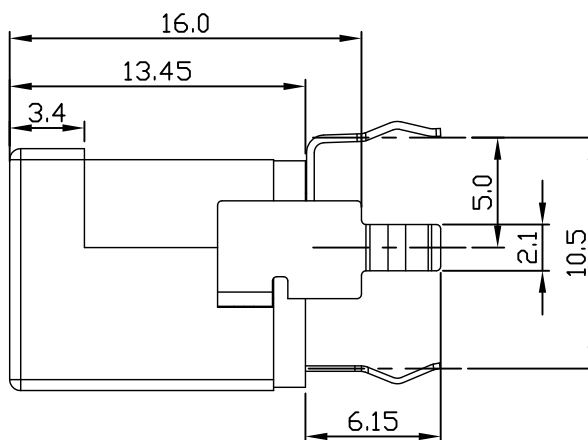
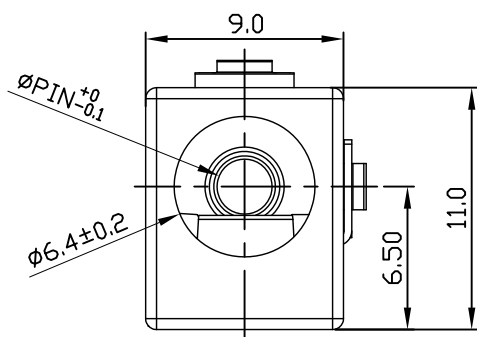
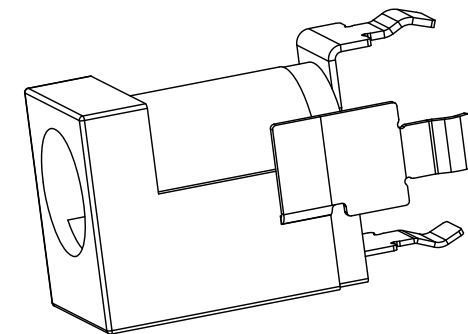


Recommend of PCB LAYOUT
Tolerance:±0.05<Top view>



CENTER PIN
Ø2.0mm
Ø2.5mm



LIH SHENG PRECISION
INDUSTRIAL CO., LTD.

6	COVER	1	PBT	BLACK
5	HOUSING	1	PBT	BLACK
4	Center Pin	1	BRASS	NICKEL PLATED
3	TERMINAL 3	1	Copper Alloy	TIN PLATED
2	TERMINAL 2	1	Copper Alloy	TIN PLATED
1	TERMINAL 1	1	Copper Alloy	TIN PLATED
NO	PART NAME	Q'TY	MATERIAL	REMARK

TOLERANCE X.X ±0.30 X.XX ±0.20 X.XXX±0.15	Material		PART NAME	DC POWER JACK	
	Thicness		PART NO.	LD-0213-x.x-10A	
	Disposal		DATE	17/MAR/23'	REV:A
UNIT mm	SCALE	3:1	DRAW	CHECK	APPROVE
			Chris	Wen1	Yen