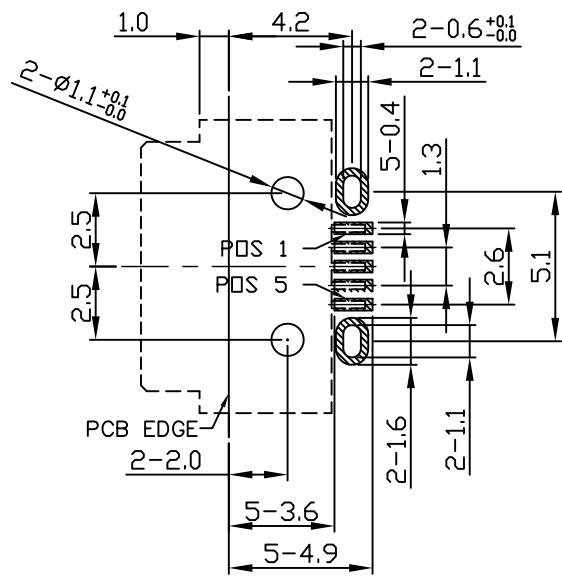
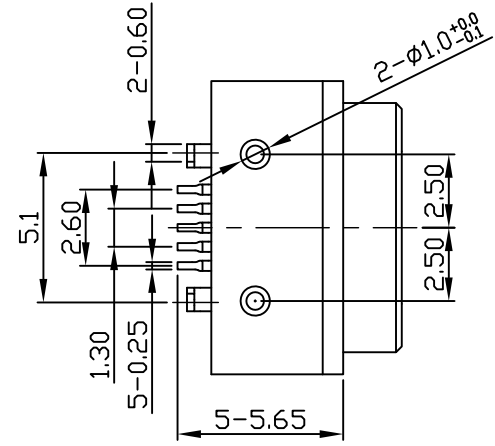
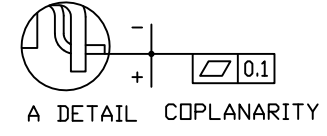
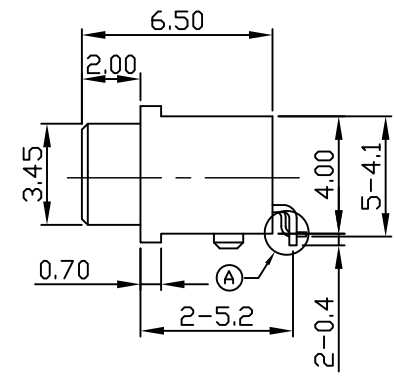
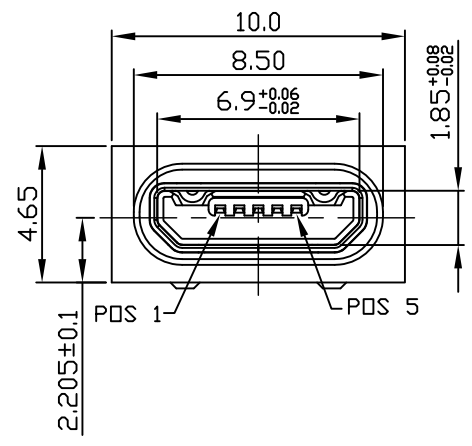
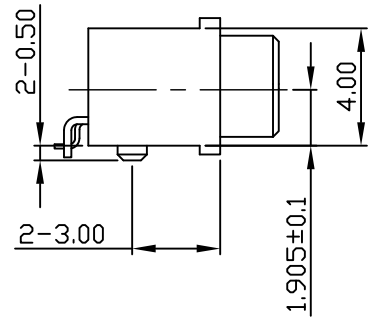
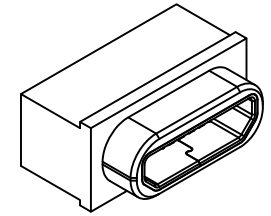


HISTORY X COUNT	DATE	ECN NO.	REV.	REVISION	SIGN.
▲					



RECOMMENDED PCB LAYOUT
TOLERANCE: ±0.05
(TOP VIEW)



LIH SHENG PRECISION INDUSTRIAL CO., LTD.

4	INSULATOR	1	LCP	
3	HOUSING	1	PA10T	
2	SHELL	1	STAINLESS STEEL	NICKEL
1	TERMINALS	5	P.B.S	NICKEL PLATED ON ALL AREA, GOLD FLASH ON CONTACT & SOLDER AREA
NO	PART NAME	Q'TY	MATERIAL	PLATED

TOLERANCE X. ±0.5 X.X ±0.3 X.XX ±0.15	Material	PART NAME	WATERPROOF DUSTPROOF MICRO USB B TYPE CONNECTOR		
	Thickness		PART NO.	LUS-B-W001-03A	
	Disposal	DATE	09/NOV/20'	REV:A	
UNIT	SCALE	DRAW	CHECK	APPROVED	
	mm	4:1	Chris	Wen1	Yen