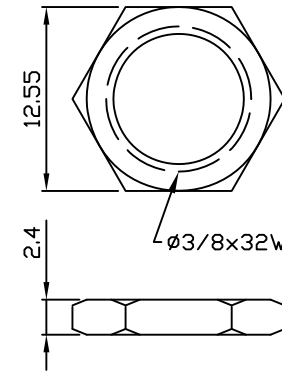
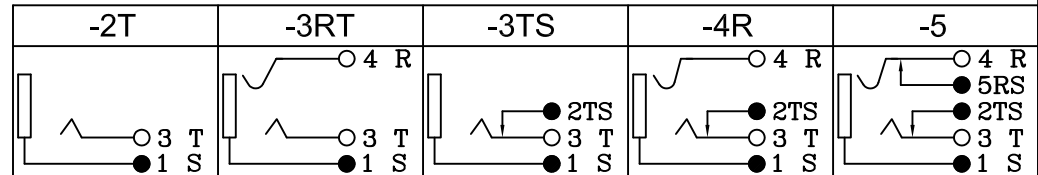
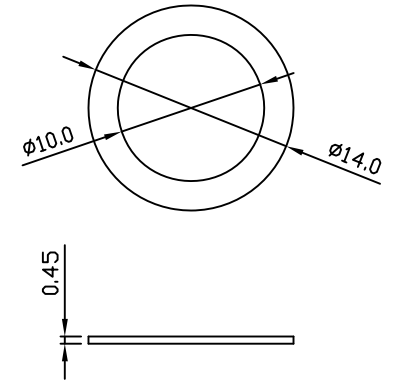


NUT



WASHER



LIH SHENG PRECISION INDUSTRIAL CO., LTD.

TOLERANCE	Material		PART NAME	HEADPHONE JACK	
X. ±0.5	Thickness		PART NO.	LJ-0695FE-5A(TIN)	
X.X ±0.3	Disposal		DATE	08/Jun/16'	REV:A
X.XX ±0.15	UNIT	SCALE	DRAW	CHECK	APPROVED
	mm	2:1	Chris	Wen1	Yen

10	WASHER	1	SPCC	NICKEL	
9	NUT	1	SPCC	NICKEL	
8	HOUSING	1	PBT-94V0		BLACK
7	LOCK WASHER	1	SK7	NICKEL	
6	SCREW	1	BRASS	NICKEL	
5	RING SHUNT	1	BRASS	TIN	
4	RING	1	P.B.S	TIN	
3	TIP	1	P.B.S	TIN	
2	TIP SHUNT	1	BRASS	TIN	
1	SLEEVE	1	BRASS	TIN	
NO	PART NAME	Q'TY	MATERIAL	PLATED	REMARK