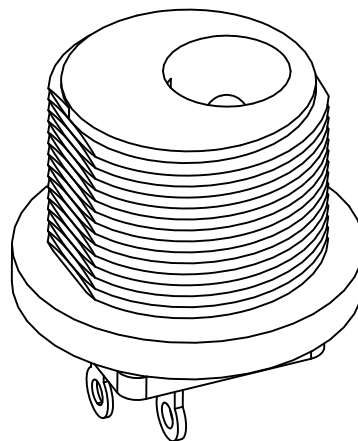
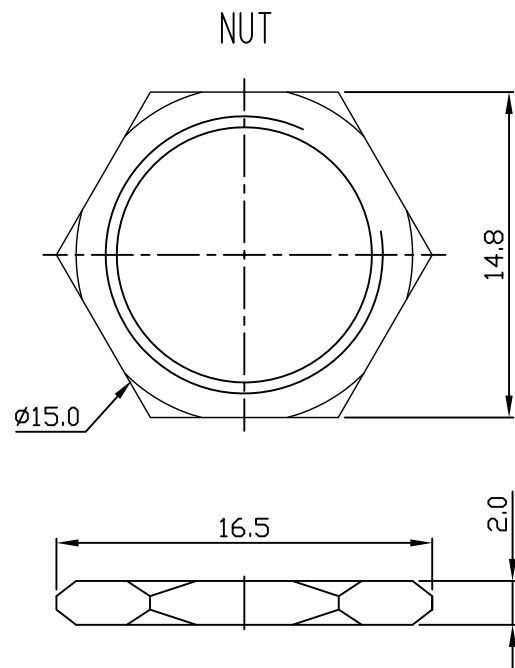
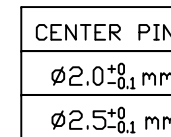
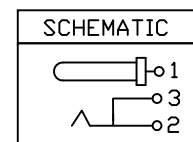


Recommend of PC Board Holes
Tolerance : ±0.05(Printed-Top view)



7	NUT	1	H59	TIN	
6	COVER	1	PF		
5	CONTACT FOOT	1	C2680	TIN	
4	PIN	1	COPPER ALLOY	NICKEL	
3	SPRING	1	SUS 301	TIN	
2	FLAT PIECE	1	C2680	TIN	
1	HOUSING	1	PBT		BLACK
NO	PART NAME	Q'TY	MATERIAL	PLATED	REMARK



LIH SHENG PRECISION INDUSTRIAL CO., LTD.

TOLERANCE X. ±0.5 X.X ±0.3 X.XX ±0.15	Material		PART NAME	HIGH CURRENT DC JACK	
	Thickness		PART NO.	LD-0147-x.x-10A	
	Disposal		DATE	23/Apr/21'	REV:A
UNIT mm	SCALE	3:1	DRAW	CHECK	APPROVED
			Chris	Wen1	Yen